



StormWatch's single screen retractable hurricane Shutters are engineered for strength, dependability and ease of use. Using the same robust hurricane screen and track system as Storm+,™ the single screen can be upgraded to a dual screen system at a future time.

## PARTS SPECIFICATION

- A** Housing Assembly 5", 6", 7" Square
- B** Extrusion Assembly
- C** Anchor Fastener\*
- D** Drive Motor\*
- E** Hurricane Rated Storm Screen\*
- F** Bottom Bar

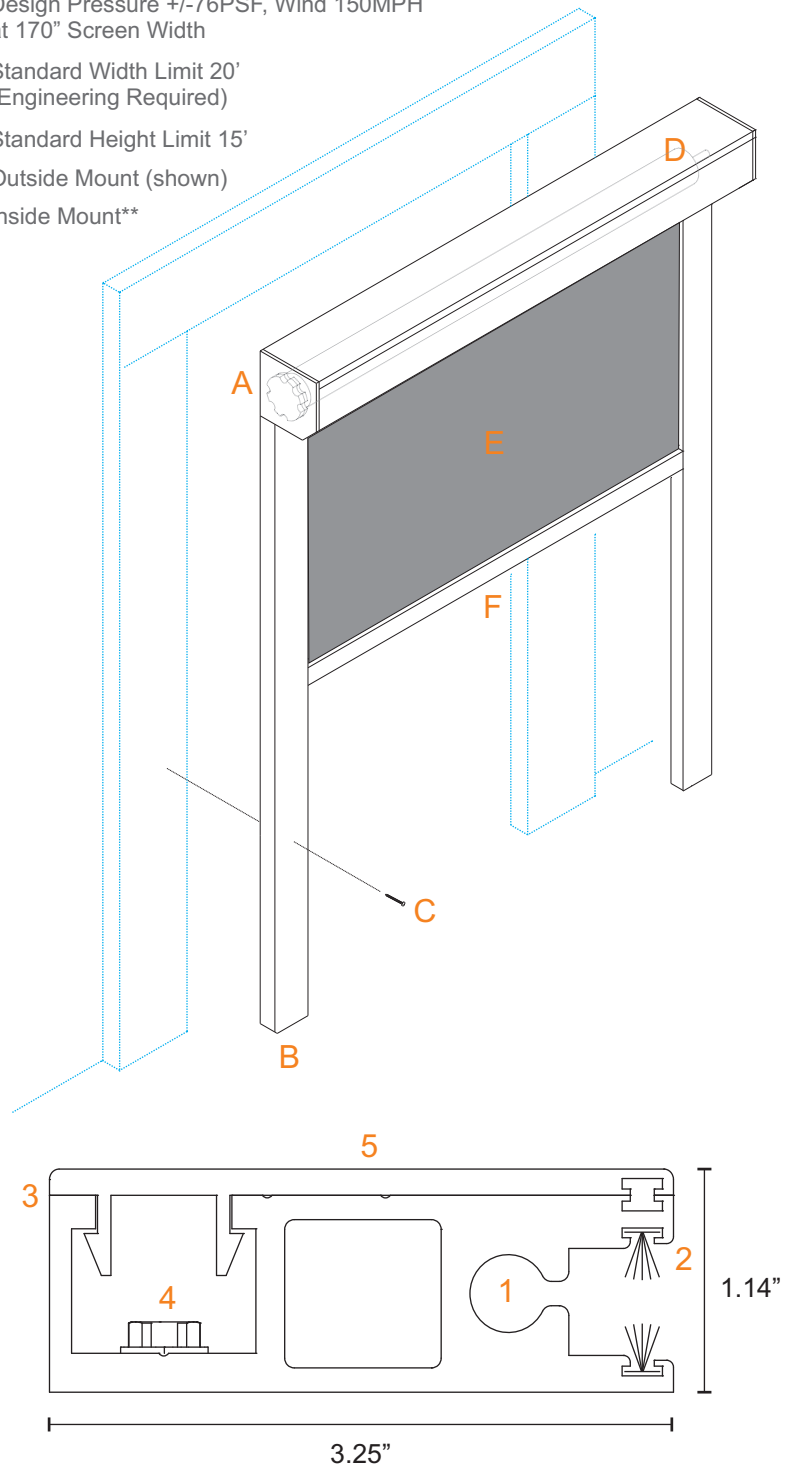
## EXTRUSION ASSEMBLY

- 1** Hurricane Screen Track
- 2** Pile Weather Seal
- 3** Hidden Cover Seam
- 4** Hidden Anchor Fasteners
- 5** Cover

Florida Building Code FL8637 R4  
 International Building Code  
 ASTM E1886 Missile Impact (Type D)  
 ASTM E1996 Structural Load Test  
 ASTM E330 Cyclic Load Test

Miami-Dade Product Control  
 TAS 201 Large Missile Impact  
 TAS 202 Structural load test  
 TAS 203 Cyclic Load Test

- Design Pressure +/-76PSF, Wind 150MPH at 170" Screen Width
- Standard Width Limit 20' (Engineering Required)
- Standard Height Limit 15'
- Outside Mount (shown)
- Inside Mount\*\*



\* Multiple Options Available  
 \*\*See Installation Instructions for detailed hurricane screen information and requirements

Copyright 2012 StormWatch, Inc.  
 Patents Pending

