



**Product Approval**  
USER: Public User

[Product Approval Menu](#) > [Product or Application Search](#) > [Application List](#) > **Application Detail**

- ▶ COMMUNITY PLANNING
- ▶ HOUSING & COMMUNITY DEVELOPMENT
- ▶ EMERGENCY MANAGEMENT
- ▶ OFFICE OF THE SECRETARY

FL #	FL8637-R3										
Application Type	Revision										
Code Version	2007										
Application Status	Approved										
Comments											
Archived	<input type="checkbox"/>										
Product Manufacturer	StormWatch										
Address/Phone/Email	254 Talleyrand Avenue Jacksonville, FL 32202 (561) 324-8811 mmurray@stormwatchinfo.com										
Authorized Signature	Michael Murray mmurray@stormwatchinfo.com										
Technical Representative	Michael Murray										
Address/Phone/Email	254 Talleyrand Avenue Jacksonville, FL 32202 (904) 638-5438 mmurray@stormwatchinfo.com										
Quality Assurance Representative	Meridith Anzulis										
Address/Phone/Email	254 Talleyrand Avenue Jacksonville, FL 32202 (904) 638-5438 manzulis@stormwatchinfo.com										
Category	Shutters										
Subcategory	Products Introduced as a Result of New Technology										
Compliance Method	Evaluation Report from a Florida Registered Architect or a Licensed Florida Professional Engineer <input checked="" type="checkbox"/> Evaluation Report - Hardcopy Received										
Florida Engineer or Architect Name who developed the Evaluation Report	Jorge A. Pomerantz										
Florida License	PE-55326										
Quality Assurance Entity	National Accreditation and Management Institute										
Quality Assurance Contract Expiration Date	12/31/2012										
Validated By	Frank L. Bennardo, P.E. <input checked="" type="checkbox"/> Validation Checklist - Hardcopy Received										
Certificate of Independence	<a href="#">FL8637_R3_COI_8637 R-3 Certificate of Independence.pdf</a>										
Referenced Standard and Year (of Standard)	<table border="0"> <thead> <tr> <th style="text-align: left;"><u>Standard</u></th> <th style="text-align: left;"><u>Year</u></th> </tr> </thead> <tbody> <tr> <td>ASTM E1886</td> <td>2005</td> </tr> <tr> <td>ASTM E1996</td> <td>2005</td> </tr> <tr> <td>ASTM E330</td> <td>2002</td> </tr> <tr> <td>TAS 201</td> <td>1994</td> </tr> </tbody> </table>	<u>Standard</u>	<u>Year</u>	ASTM E1886	2005	ASTM E1996	2005	ASTM E330	2002	TAS 201	1994
<u>Standard</u>	<u>Year</u>										
ASTM E1886	2005										
ASTM E1996	2005										
ASTM E330	2002										
TAS 201	1994										

TAS 202  
TAS 203

1994  
1994

Equivalence of Product Standards  
Certified By

Sections from the Code

Product Approval Method                      Method 1 Option D

Date Submitted                                      02/14/2011  
Date Validated                                      02/15/2011  
Date Pending FBC Approval                      02/20/2011  
Date Approved                                      04/05/2011

**Summary of Products**

FL #	Model, Number or Name	Description
8637.1	StormWatch Hurricane Screens	Fabric-based impact resistant storm panel
<b>Limits of Use</b> Approved for use in HVHZ: No Approved for use outside HVHZ: Yes Impact Resistant: Yes Design Pressure: +76/-76 Other: Max span 170"		<b>Installation Instructions</b> <a href="#">FL8637_R3_II_8637 R-3 StormWatch Hurricane Screens Installation Instructions.pdf</a> Verified By: Jorge Pomerantz PE 55326 Created by Independent Third Party: Yes <b>Evaluation Reports</b> <a href="#">FL8637_R3_AE_8637 R-3 StormWatch Hurricane Screens Product Evaluation Report.pdf</a> Created by Independent Third Party: Yes

[Back](#)   [Next](#)

*Department of Community Affairs  
Florida Building Code Online  
Codes and Standards  
2555 Shumard Oak Boulevard  
Tallahassee, Florida 32399-2100  
(850) 487-1824, Fax (850) 414-8436  
© 2000-2010 The State of Florida. All rights reserved.*

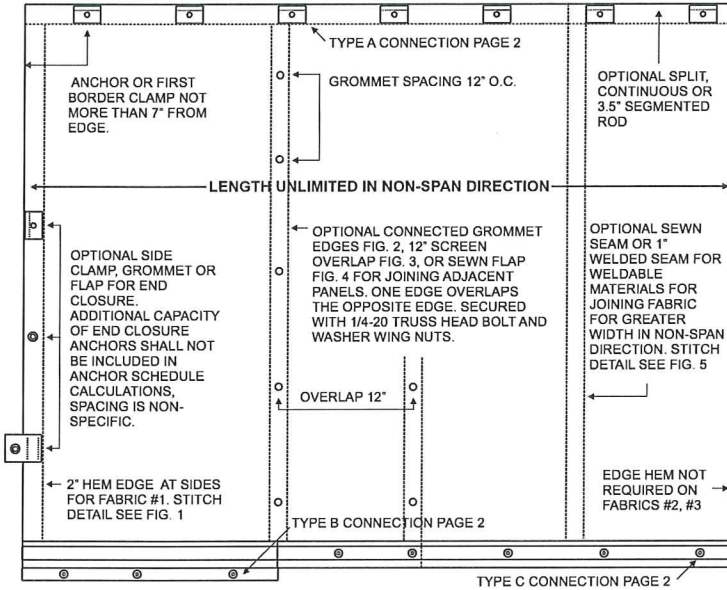
[Privacy Statement](#) | [Copyright Statement](#) | [Accessibility Statement](#) | [Plug-in Software](#) | [Customer Service Survey](#) | [Contact Us](#)

Product Approval Accepts:



# STORMWATCH HURRICANE SCREENS

## TYPICAL REMOVABLE PANEL CONFIGURATIONS AND OPTIONS



PRODUCT APPROVAL NO.

**FL 8637 R3**

FOR USE OUTSIDE THE HVHZ

**ANCHOR CONNECTION TYPE A & END RETENTION SCREEN**  
**+76 PSF/ -76 PSF MAX SPAN 170"**

**ANCHOR CONNECTION TYPES B & C**  
**+66.1 PSF/ -66.1 PSF MAX SPAN 102"**

### GENERAL NOTES:

1. THE SYSTEM DESCRIBED HEREIN HAS BEEN DESIGNED AND TESTED AS A LARGE MISSILE IMPACT PROTECTIVE SYSTEM IN ACCORDANCE WITH THE 2007 FLORIDA BUILDING CODE AND 2009 SUPPLEMENT, FOR USE OUTSIDE THE HIGH VELOCITY HURRICANE ZONE PER TAS 201-94, TAS 202-94, TAS 203-94 AND IN ACCORDANCE WITH THE 2009 INTERNATIONAL BUILDING CODE STANDARDS ASTM E 1886-05, E 1996-05 AND ASTM E 330-02 TEST STANDARDS.

2. THE SYSTEM DESCRIBED HEREIN IS DESIGNED FOR USE AS A PROTECTED OPENING IMPACT SCREEN DURING PERIODS OF HIGH WINDS. THE SCREEN IS TEMPORARY AND REMOVABLE AND NOT INTENDED TO BE A PERMANENT PART OF THE STRUCTURE.

3. THE SYSTEM DESCRIBED HEREIN IS GENERIC AND DOES NOT PROVIDE INFORMATION FOR A SPECIFIC SITE. A LICENSED ENGINEER OR REGISTERED ARCHITECT SHALL PREPARE SITE SPECIFIC DOCUMENTS FOR USE WITH THIS DOCUMENT AS REQUIRED FOR INSTALLATIONS OUTSIDE BOUNDARIES AS SHOWN.

4. PERMIT HOLDER SHALL VERIFY THE ADEQUACY OF THE EXISTING STRUCTURE TO WITHSTAND SUPERIMPOSED LOADS. SITE SPECIFIC ENGINEERING MAY BE REQUIRED TO DETERMINE COMPATIBILITY WITH HOST STRUCTURE.

5. ALL BOLTS, WASHERS, FASTENERS SHALL BE GALVANIZED STEEL, NICKEL/ ZINC COATED STEEL, OR STAINLESS STEEL HAVING A MINIMUM TENSILE STRESS OF 60,000 PSI.

6. THE SCREEN DESCRIBED HEREIN SHALL BE PERMANENTLY LABELED WITH A MINIMUM OF ONE LABEL PER SCREEN. LABEL INFORMATION SHALL CONTAIN THE MANUFACTURER'S NAME, INFORMATION DESCRIBING THE PRODUCT, INFORMATION DESCRIBING LIMITATIONS OF USE, AND THE FLORIDA PRODUCT APPROVAL NUMBER.

### MATERIALS:

FULL SPECIFICATIONS IN PRODUCT EVALUATION REPORT

FABRIC #1 POLYMESH

FABRIC #2 PVC LAMINATE

FABRIC #3 PVC MESH

THREAD PTFE OR POLY 138

ANGLE TRACK AND BUILD-OUTS AL 6061 T5 OR 6063 T6

STORMWATCH CLIP NYLON 66

END RETENTION TRACK AL 6063 T6

## TYPICAL END RETENTION SCREEN SYSTEM

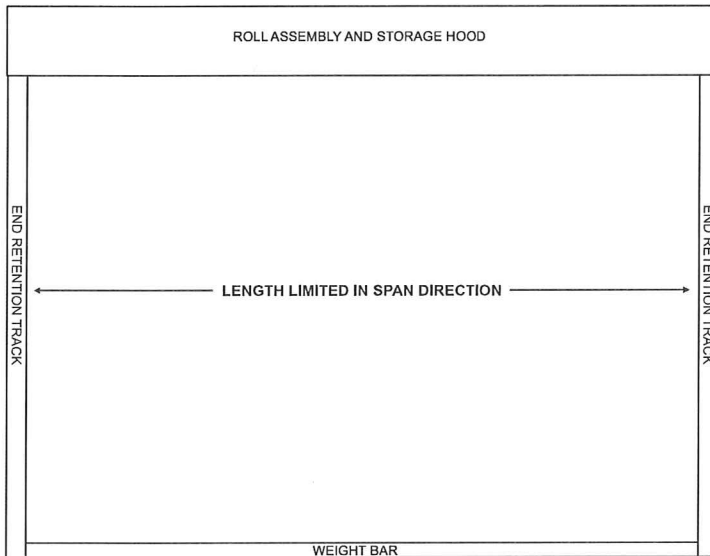
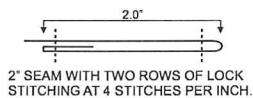


FIG.1



2" SEAM WITH TWO ROWS OF LOCK STITCHING AT 4 STITCHES PER INCH.

FIG.3

12" OVERLAP

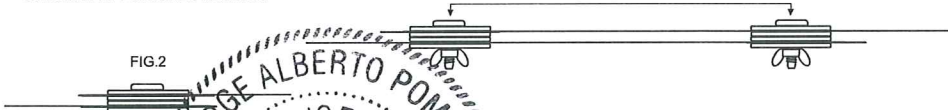
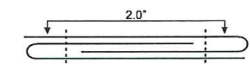


FIG. 4



5" FLAP ONE ROW OF LOCKSTITCH AT 4 STITCHES PER INCH. MATERIAL PVC MESH.

FIG.5



2" SEAM WITH TWO ROWS OF LOCK STITCHING AT 4 STITCHES PER INCH.

JORGE A. POMERANTZ, P.E.  
 FLORIDA LICENSE# 55326  
 ING CONSULTANTS, INC.  
 428 NW 70th AVE #135  
 PLANTATION FL 33317  
 CERT. AUTH. #27242  
 T: 954.394.8521 F: 954.583.5197  
 ingconsultants@yahoo.com



## Installation Instructions

StormWatch Inc.  
 254 Talleyrand Ave  
 Jacksonville, FL 32202  
 Tel: 866.60.STORM  
 info@stormwatchinfo.com

DRAWN BY: MICHAEL MURRAY

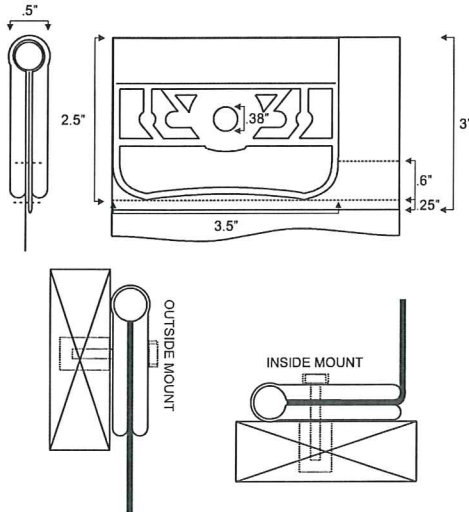
DRAWING NO:  
 1-31-001  
 NOT TO SCALE

1 of 9

# SCREEN CONNECTION TYPES

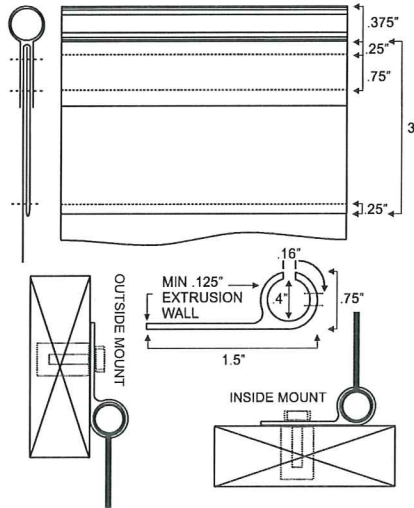
## TYPE A CONNECTION STORMWATCH CLIP

DOUBLE FOLD EDGE HEM WITH FABRICS #1 AND #3 WITH LOCK STITCHING AT 4 STITCHES PER INCH AS INDICATED. FRP ROD INSERTED IN HEM WITH STORMWATCH ANCHOR CONNECTION CLIP. MAY ALSO BE USED WITH 1" WELDED SEAM WITH NO FOLD ON FABRICS #2 AND #3. **NOTE:** FOR INSIDE MOUNT CONNECTION WITH FABRIC #2 USE RIGHT ANGLE TRACKS OF PAGE 3.



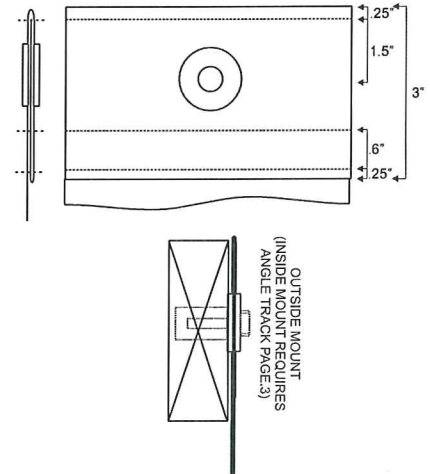
## TYPE B CONNECTION C-TRACK

DOUBLE FOLD EDGE HEM WITH FABRICS #1 AND #3 WITH LOCK STITCHING AT 4 STITCHES PER INCH AS INDICATED. HEM CORD SEWN TO HEM WITH TWO ROWS OF STITCHING, OR NO FOLD WITH 1" WELDED SEAM FOR FABRICS #2 AND #3. HEM CORD CAN BE FRP ROD OR SOLID PVC. HEM CORD SLIDES INTO C-TRACK.



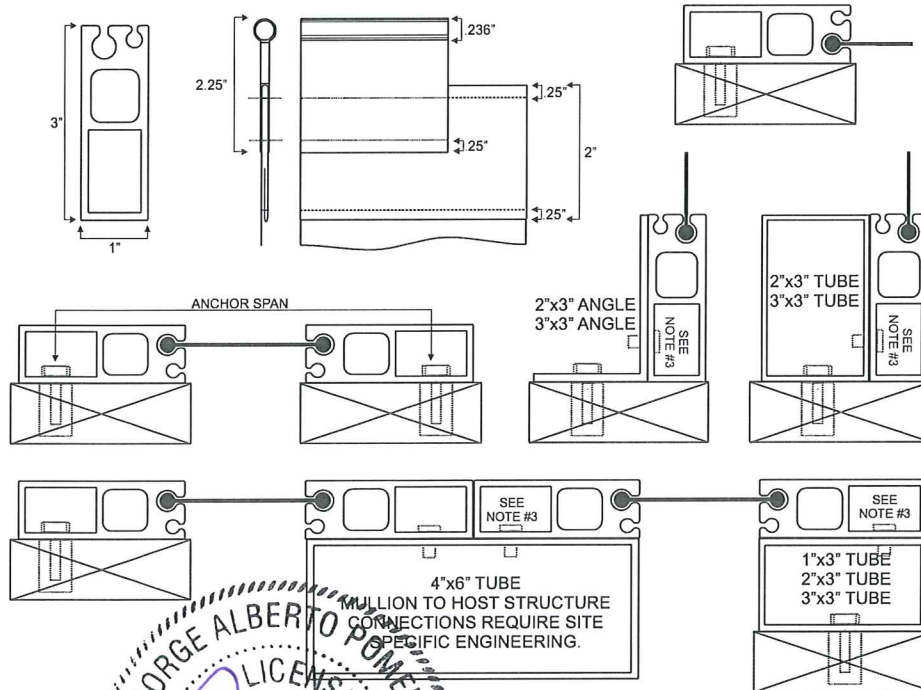
## TYPE C CONNECTION GROMMET

DOUBLE FOLD EDGE HEM WITH FABRICS #1 AND #3 WITH LOCK STITCHING AT 4 STITCHES PER INCH, #2 SPUR GROMMET FOR ANCHOR CONNECTIONS AS INDICATED.



## END RETENTION SCREEN SYSTEM

SINGLE FOLD EDGE HEM WITH FABRIC #1 WITH LOCK STITCHING AT 4 STITCHES PER INCH AS INDICATED. HEM CORD SEWN TO HEM WITH TWO ROWS OF STITCHING. MIN. HEM CORD DIA. .236" CAN BE SOLID PVC OR BRAIDED CORD. HEM CORD SLIDES INTO LARGEST TRACK GROOVE.



**NOTES:**  
1. MECHANICAL ROLL-UP ASSEMBLIES IF USED ARE NOT LOAD BEARING AND NOT INCLUDED IN ANCHOR CALCULATIONS.

2. BUILD-OUTS AND BLOCKING ARE COMPRISED OF ALUMINUM 6061 T5 OR 6063 T6.

3. TRACK CONNECTIONS TO BUILD-OUTS AND BLOCKING ARE MADE WITH 1/4-14x1" ITW/BUILDDEX HWH TEKS SELECT.

### FASTENER SPACING FOR TRACK TO ANGLE AND TUBE CONNECTIONS

SPAN	1/8" WALL	1/4" WALL
60"	6" O.C.	12" O.C.
72"	5" O.C.	12" O.C.
84"	4" O.C.	10" O.C.
96"	4" O.C.	9" O.C.
108"	3" O.C.	8" O.C.
120"	3" O.C.	6" O.C.
132"	NA	6" O.C.
144"	NA	6" O.C.
156"	NA	5" O.C.
170"	NA	5" O.C.

DESIGN LOAD +/-76PSF MAX SPAN 170"

JORGE A. POMERANTZ, P.E.  
FLORIDA LICENSE# 55326  
ING CONSULTANTS, INC.  
428 NW 70th AVE #135  
PLANTATION FL 33317  
CERT. AUTH. #27242  
T: 954.394.8521 F: 954.583.5197  
ingconsultants@yahoo.com



**STORMWATCH**  
HURRICANE SCREENS

**Installation Instructions**

StormWatch Inc.  
254 Talleyrand Ave  
Jacksonville, FL 32202  
Tel: 866.60.STORM  
info@stormwatchinfo.com

DRAWN BY: MICHAEL MURRAY

DRAWING NO:  
1-31-001  
NOT TO SCALE

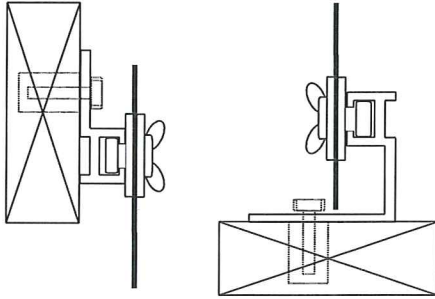
2 of 9

## TRACK TYPES

### F-TRACK, ANGLE F-TRACK, STUD TRACK, C-TRACK FOR USE WITH ANCHOR CONNECTION TYPES A, B, OR C MAX SPAN 102" DESIGN PRESSURE +/-66.1 PSF

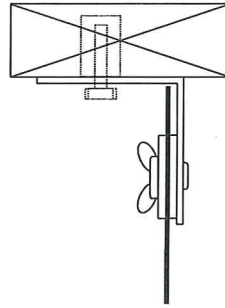
**GENERAL NOTES:**

1. TRACK TO HOST STRUCTURE ANCHOR CONNECTIONS PER ANCHOR SCHEDULE.
2. TRACK CAN BE FLOOR OR CEILING MOUNTED.
3. INTERMEDIARY CONNECTIONS MAY USE 1/4-20 F-TRACK BOLTS, HEX HEAD MACHINE SCREWS WITH WASHER WING NUT OR NUT WITH WASHER FOR A MIN. HEAD DIA. TWICE THE DIA. OF OPENING.



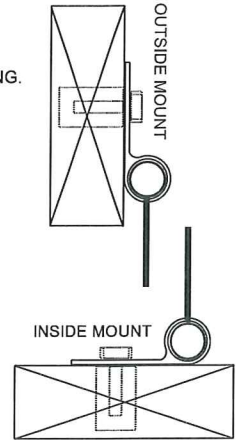
**F-TRACK NOTES:**

1. INTERMEDIARY SCREEN TO F-TRACK CONNECTIONS ALWAYS USE MAX 8" O.C. SPACING.



**STUD ANGLE NOTES:**

1. INTERMEDIARY SCREEN TO F-TRACK CONNECTIONS PER ANCHOR SCHEDULE.

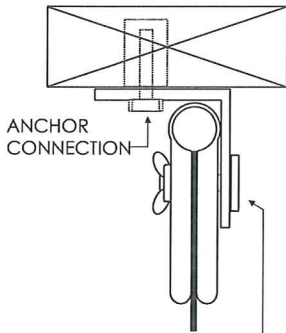


**C-TRACK NOTES:**

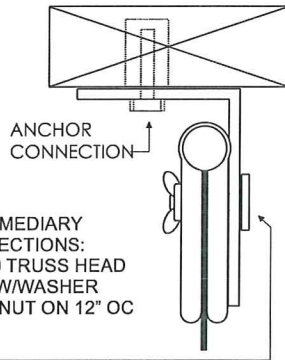
1. C-TRACK CONNECTIONS USE INSIDE OR OUTSIDE MOUNT TRACK TYPE FOR CORRESPONDING MOUNTING CONFIGURATION.

### STRUCTURAL ANGLE TRACK FOR USE WITH ANCHOR CONNECTION TYPE A

**1/8" ALUMINUM ANGLE FOR 12" ANCHOR SPACING**



**3/16" ALUMINUM ANGLE MAX 24" ANCHOR SPACING**



INTERMEDIARY CONNECTIONS:  
1/4"-20 TRUSS HEAD BOLT W/WASHER WING NUT ON 12" OC

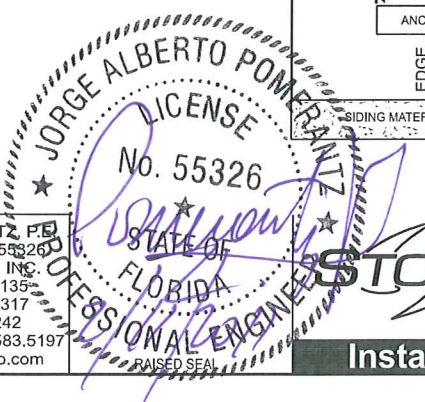
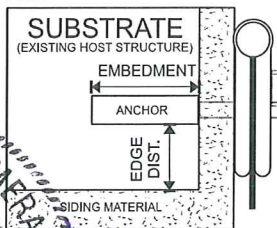
**STRUCTURAL ANGLE TRACK INSTALLATION NOTES:**

1. MAX 2"x3" ALUMINUM ANGLE WITH A MIN. 1/8" CROSS SECTION AND OF A CONTINUOUS OR SEGMENTED SECTION WITH A MIN. LENGTH OF 3.5" MAY BE USED WITH MAX 12" O.C. ANCHORS INTO SUBSTRATE PER ANCHOR SCHEDULE. INTERMEDIARY PANEL TO ANGLE CONNECTIONS ARE SPACED ON 12" CENTERS.
2. CONTINUOUS SECTIONS OF 2"x3" ALUMINUM ANGLE WITH A MIN 3/16" CROSS SECTION MAY BE USED WITH MAX 24" O.C. ANCHORS INTO SUBSTRATE TO MAX. SPAN PER ANCHOR SCHEDULE. INTERMEDIARY PANEL TO ANGLE CONNECTIONS ARE SPACED ON 12" CENTERS.
3. INTERMEDIARY CONNECTIONS MAY USE 1/4-20 TRUSS HEAD MACHINE SCREWS WITH WASHER WING NUT OR NUT WITH WASHER FOR A MIN. HEAD DIA. TWICE THE DIA. OF OPENING.

**ANCHOR NOTES:**

1. MINIMUM EDGE DISTANCE AND EMBEDMENT EXCLUDES ALL WALL FINISHES INCLUDING BUT NOT LIMITED TO STUCCO, FOAM, BRICK VENEER, AND SIDING (SEE FIG. 6). FIELD VERIFY THE THICKNESS OF FINISHES AND LOCATION OF STRUCTURAL FRAMING FOR PROPER ANCHOR EDGE DISTANCE AND EMBEDMENT.
2. WHERE STRUCTURE IS WOOD FRAMING, EXISTING CONDITIONS MAY VARY. FIELD VERIFY THAT ANCHORS ARE PLACED INTO WOOD FRAMING AND NOT PLYWOOD AND THAT WOOD FRAMING IS NOT DETERIORATED.
4. THE ANCHOR SCHEDULE REFERENCES THE INDICATED MANUFACTURER'S INSTALLATION INSTRUCTIONS AND TEST RESULTS. INSTALL ANCHORS PER MANUFACTURER'S DIRECTIONS.
5. ANCHOR CONNECTIONS SHALL BE MADE WITH CORRESPONDING MACHINE SCREWS HAVING A MINIMUM TENSILE STRESS OF 45,000 PSI. CONNECTIONS MAY USE WASHER WING NUTS OR BOLTS WITH WASHERS OF MIN. HEAD DIA. TWICE THE DIA. OF OPENING.

FIG. 6



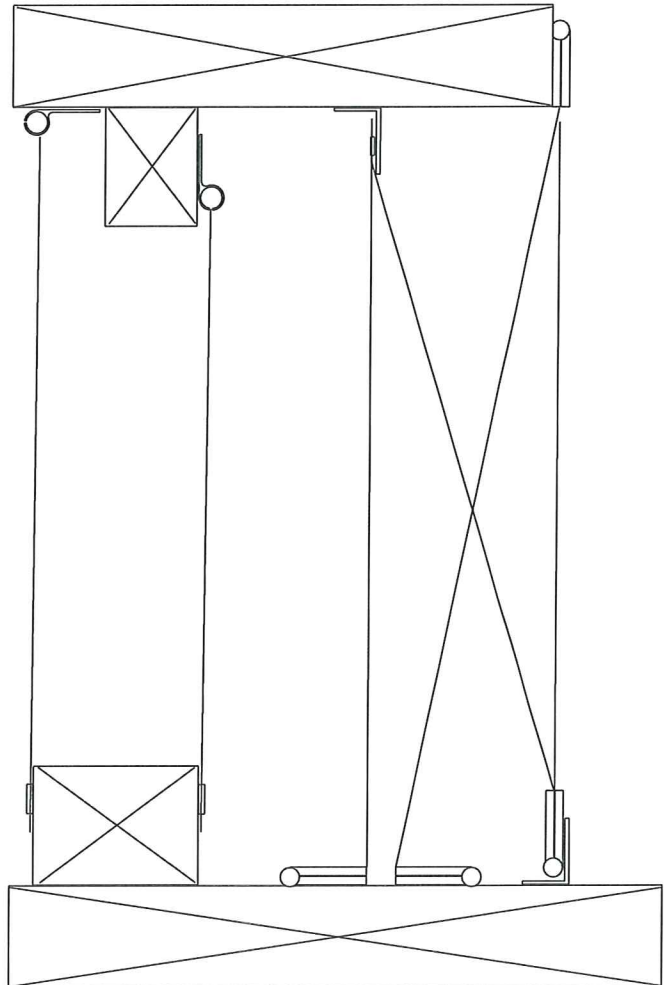
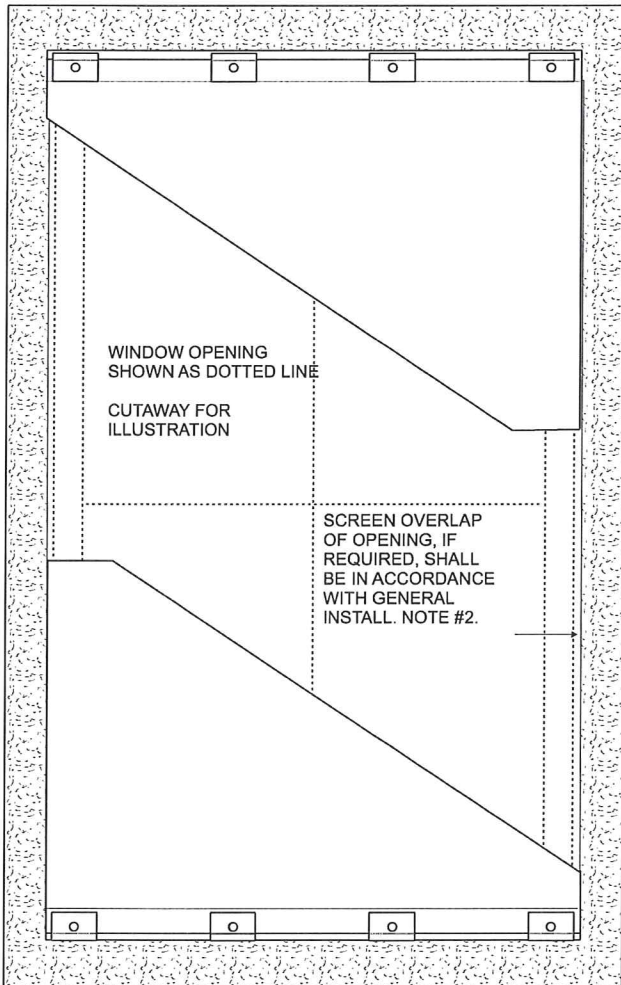
JORGE A. POMERANTZ, P.E.  
FLORIDA LICENSE# 55326  
ING CONSULTANTS, INC.  
428 NW 70th AVE #135  
PLANTATION FL 33317  
CERT. AUTH. #27242  
T: 954.394.8521 F: 954.583.5197  
ingconsultants@yahoo.com

**STORMWATCH**  
HURRICANE SCREENS  
**Installation Instructions**

StormWatch Inc.  
254 Talleyrand Ave  
Jacksonville, FL 32202  
Tel: 866.60.STORM  
info@stormwatchinfo.com

DRAWN BY: MICHAEL MURRAY  
DRAWING NO: 1-31-001  
NOT TO SCALE **3** of **9**

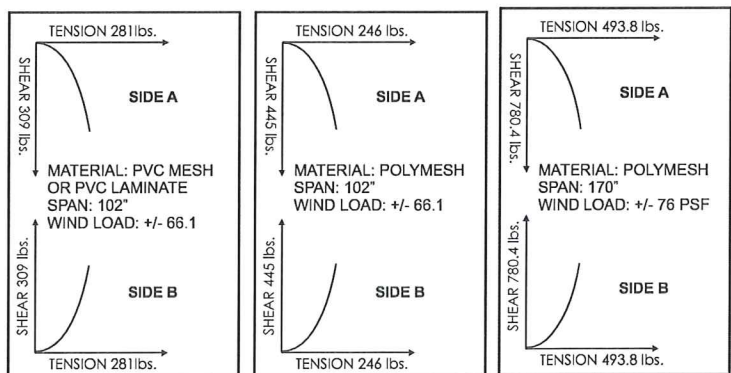
# INSTALLATION EXAMPLES CONNECTIONS A, B & C



## GENERAL INSTALLATION NOTES FOR CONNECTION TYPES A, B & C:

1. THIS SYSTEM DESCRIBED HEREIN MAY BE USED AS A NON-POROUS SHUTTER SYSTEM, NO MINIMUM SEPARATION FROM THE PROTECTED GLAZING IS REQUIRED.
2. SHUTTER SHALL BE INSTALLED IN A MANNER TO COMPLETELY COVER THE ENTIRE OPENING IN ALL DIRECTIONS. ON ANY SIDE OF AN OPENING, THE MAXIMUM SIDE CLEARANCE BETWEEN THE SCREEN AND A WALL OR INSET SURFACE SHALL BE 1/4". ANY DISTANCE IN EXCESS OF 1/4" SHALL REQUIRE END CLOSURE OR SCREEN OVERLAP OF A MINIMUM OF 1.5 TIMES THE SIDE CLEARANCE BETWEEN THE SCREEN AND WALL.
3. MULTIPLE UNITS MAY BE INSTALLED TO UNLIMITED NON-SPAN WIDTHS.
4. SCREEN MAY BE MOUNTED VERTICALLY OR HORIZONTALLY.
5. MULTIPLE CONNECTION TYPES AND TRACK TYPES MAY BE USED FOR ANY OPENING. THE ANCHOR SCHEDULE MUST SOLVE FOR THE DESIGN PRESSURE OF THE WEAKEST CONDITION PRESENT IN THE COMBINATION.

## MAXIMUM SUPERIMPOSED LOADS ON HOST STRUCTURE PER LINEAR FOOT FOR INDICATED FABRIC TYPE, WIND LOAD, AND SPAN



JORGE A. POMERANTZ, P.E.  
FLORIDA LICENSE# 55326  
ING CONSULTANTS, INC.  
428 NW 70th AVE #135-  
PLANTATION FL 33317  
CERT. AUTH. #27242  
T: 954.394.8521 F: 954.583.5197  
ingconsultants@yahoo.com



**STORMWATCH**  
HURRICANE SCREENS

## Installation Instructions

StormWatch Inc.  
254 Talleyrand Ave  
Jacksonville, FL 32202  
Tel: 866.60.STORM  
info@stormwatchinfo.com

DRAWN BY: MICHAEL MURRAY

DRAWING NO:  
1-31-001  
NOT TO SCALE

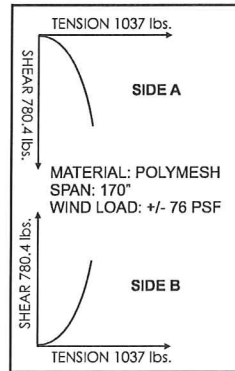
4 of 9

# INSTALLATION EXAMPLES CONNECTIONS ROLLING SCREEN WITH END RETENTION TRACK

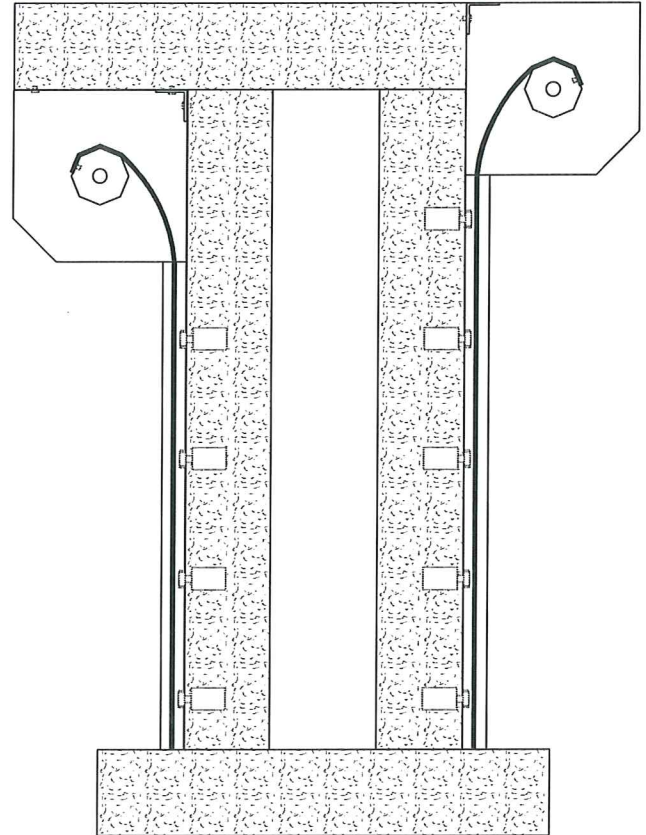
## GENERAL INSTALLATION NOTES FOR END RETENTION SCREEN SYSTEM:

1. THIS SYSTEM DESCRIBED HEREIN MAY BE USED AS A NON-POROUS SHUTTER SYSTEM, NO MINIMUM SEPARATION FROM THE PROTECTED GLAZING IS REQUIRED.
2. SHUTTER SHALL BE INSTALLED IN A MANNER TO COMPLETELY COVER THE ENTIRE OPENING IN ALL DIRECTIONS. ON ANY SIDE OF AN OPENING, THE MAXIMUM SIDE CLEARANCE BETWEEN THE SCREEN AND A WALL OR INSET SURFACE SHALL BE 1/4". ANY DISTANCE IN EXCESS OF 1/4" SHALL REQUIRE END CLOSURE OR SCREEN OVERLAP OF A MINIMUM OF 1.5 TIMES THE SIDE CLEARANCE BETWEEN THE SCREEN AND WALL.
3. SCREEN MUST BE MOUNTED VERTICALLY
4. END RETENTION SCREEN SYSTEMS MAY USE MECHANICAL ROLL-UP ASSEMBLIES TO STORE SCREENS WITHIN A PROTECTIVE HOOD AND WEIGHTED BARS TO FACILITATE DEPLOYMENT.
5. END RETENTION TRACKS ARE SECURED TO SUBSTRATE PER ANCHOR SCHEDULE. SPAN IS THE DISTANCE BETWEEN OPPOSING ANCHORS.
6. A 5/8" ACCESS HOLE MAY BE MADE IN TRACK TO SECURE ANCHORS. ACCESS HOLE SHOULD BE COVERED WITH A CAP.

MAXIMUM SUPERIMPOSED LOADS ON HOST STRUCTURE PER LINEAR FOOT



PLAN VIEW



## ANCHOR SCHEDULE END RETENTION SCREEN SYSTEM

### STORMWATCH END RETENTION SCREEN SYSTEM MAX SPAN 170" DESIGN PRESSURE +/- 76PSF

ANCHOR		MIN EMBED	MIN EDGE DIST	SPANS TO: 60"	SPANS TO: 72"	SPANS TO: 84"	SPANS TO: 96"	SPANS TO: 108"	SPANS TO: 120"	SPANS TO: 132"	SPANS TO: 144"	SPANS TO: 156"	SPANS TO: 170"
WOOD SG=0.55	1/4 x 4" LAG BOLT	2-1/2"	1-3/4"	6" O.C.	5" O.C.	4" O.C.	3" O.C.						
	3/8 x 4" LAG BOLT	2-1/2"	1-3/4"	7" O.C.	6" O.C.	5" O.C.	4" O.C.	3" O.C.					
CONCRETE 3000psi	5/16" TAPCON XL	2-1/4"	2-1/4"	12" O.C.	12" O.C.	11" O.C.	10" O.C.	8" O.C.	7" O.C.	6" O.C.	6" O.C.	5" O.C.	5" O.C.
	3/8" POWERS POWER BOLT	2-1/2"	4"	12" O.C.	12" O.C.	12" O.C.	12" O.C.	12" O.C.	10" O.C.	9" O.C.	8" O.C.	8" O.C.	7" O.C.
	3/8" POWERS POWER STUD	3"	4"	12" O.C.	12" O.C.	12" O.C.	12" O.C.	10" O.C.	9" O.C.	8" O.C.	7" O.C.	7" O.C.	6" O.C.
GROUT FILLED BLOCK	5/16" TAPCON XL	2-1/4"	4"	12" O.C.	12" O.C.	12" O.C.	10" O.C.	9" O.C.	8" O.C.	7" O.C.	6" O.C.	6" O.C.	5" O.C.
	3/8" POWERS POWER STUD	3"	5-1/2"	9" O.C.	8" O.C.	7" O.C.	6" O.C.	5" O.C.	4" O.C.	4" O.C.	4" O.C.	3" O.C.	
HOLLOW BLOCK	5/16" TAPCON XL			6" O.C.	5" O.C.	4" O.C.							

JORGE A. POMERANTZ, P.E.  
FLORIDA LICENSE# 55326  
ING CONSULTANTS, INC.  
428 NW 70th AVE #135  
PLANTATION FL 33317  
CERT. AUTH. #27242  
T: 954.394.8521 F: 954.583.5197  
ingconsultants@yahoo.com



**STORMWATCH**  
HURRICANE SCREENS

Installation Instructions

StormWatch Inc.  
254 Talleyrand Ave  
Jacksonville, FL 32202  
Tel: 866.60.STORM  
info@stormwatchinfo.com

DRAWN BY: MICHAEL MURRAY

DRAWING NO:  
1-31-001  
NOT TO SCALE

5 of 9

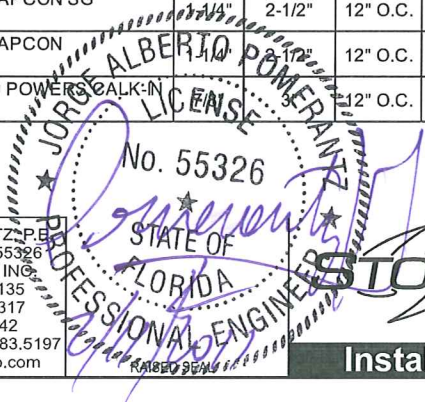
# ANCHOR SCHEDULE CONNECTION TYPE A

## STORMWATCH CLIP MAX SPAN 170" DESIGN PRESSURE +/- 76PSF OUTSIDE MOUNT

ANCHOR		MIN EMBED	MIN EDGE DIST	SPANS TO: 60"	SPANS TO: 72"	SPANS TO: 84"	SPANS TO: 96"	SPANS TO: 108"	SPANS TO: 120"	SPANS TO: 132"	SPANS TO: 144"	SPANS TO: 156"	SPANS TO: 170"
WOOD SG=0.55	1/4" ELCO PANELMATE MALE OR FEMALE	1-7/8"	3/4"	12" O.C.	10" O.C.	9" O.C.	8" O.C.	6" O.C.	6" O.C.				
	1/4" ELCO PANELMATE MALE OR FEMALE	1-1/2"	2"	12" O.C.	12" O.C.	12" O.C.	12" O.C.	10" O.C.	9" O.C.	8" O.C.	6" O.C.	6" O.C.	6" O.C.
	1/4" SAMMY SUPER SCREW SSW	1-1/2"	2"	12" O.C.	12" O.C.	12" O.C.	12" O.C.	10" O.C.	9" O.C.	8" O.C.	6" O.C.	6" O.C.	6" O.C.
	1/4" LAG BOLT	3"	1-3/4"	12" O.C.	12" O.C.	12" O.C.	12" O.C.	10" O.C.	9" O.C.	8" O.C.	6" O.C.	6" O.C.	6" O.C.
	3/8" LAG BOLT	3"	1-3/4"	12" O.C.	12" O.C.	12" O.C.	12" O.C.	12" O.C.	12" O.C.	12" O.C.	10" O.C.	10" O.C.	8" O.C.
	3/8" HANGER BOLT	3"	1-3/4"	12" O.C.	12" O.C.	12" O.C.	12" O.C.	12" O.C.	12" O.C.	12" O.C.	10" O.C.	10" O.C.	8" O.C.

CONCRETE 3323 psi	1/4" ELCO PANELMATE MALE	2"	2-1/2"	12" O.C.	12" O.C.	12" O.C.	12" O.C.	12" O.C.	12" O.C.	12" O.C.	10" O.C.	10" O.C.	9" O.C.
	1/4" ELCO PANELMATE FEMALE	1-3/4"	2-1/2"	12" O.C.	12" O.C.	12" O.C.	12" O.C.	10" O.C.	9" O.C.	8" O.C.	6" O.C.	6" O.C.	6" O.C.
	1/4" ELCO PANELMATE INSERT	1-5/8"	4"	12" O.C.	12" O.C.	12" O.C.	12" O.C.	12" O.C.	12" O.C.	10" O.C.	10" O.C.	9" O.C.	9" O.C.
	1/4" SAMMY SUPER SCREW SSC	2-1/4"	1-1/4"	12" O.C.	12" O.C.	10" O.C.	9" O.C.	8" O.C.	6" O.C.	6" O.C.			
	1/4" SAMMY SUPER SCREW SSC	2-1/4"	2-1/2"	12" O.C.	12" O.C.	12" O.C.	12" O.C.	12" O.C.	10" O.C.	10" O.C.	9" O.C.	8" O.C.	6" O.C.
	1/4" POWERS DROP-IN	1"	3"	12" O.C.	12" O.C.	12" O.C.	12" O.C.	12" O.C.	12" O.C.	10" O.C.	9" O.C.	9" O.C.	8" O.C.
	1/4-20 POWERS CALK-IN	7/8"	2"	12" O.C.	10" O.C.	9" O.C.	8" O.C.	6" O.C.	6" O.C.				
	1/4-20 POWERS CALK-IN	7/8"	3"	12" O.C.	12" O.C.	10" O.C.	10" O.C.	9" O.C.	8" O.C.	6" O.C.	6" O.C.		
	1/4" TAPCON SG	1-3/4"	2-1/2"	12" O.C.	12" O.C.	12" O.C.	12" O.C.	12" O.C.	12" O.C.	12" O.C.	12" O.C.	12" O.C.	10" O.C.
	1/4" TAPCON	1-3/4"	2-1/2"	12" O.C.	12" O.C.	12" O.C.	10" O.C.	10" O.C.	8" O.C.	6" O.C.	6" O.C.	6" O.C.	6" O.C.
	1/4" POWERS TAPPER	1-3/4"	3"	12" O.C.	12" O.C.	12" O.C.	10" O.C.	9" O.C.	8" O.C.	6" O.C.	6" O.C.	6" O.C.	
	1/4" POWERS POWER BOLT	2-1/2"	3"	12" O.C.	12" O.C.	12" O.C.	12" O.C.	12" O.C.	12" O.C.	12" O.C.	12" O.C.	12" O.C.	10" O.C.
	1/4" POWERS POWER STUD	1-1/2"	3"	12" O.C.	12" O.C.	12" O.C.	12" O.C.	10" O.C.	9" O.C.	8" O.C.	6" O.C.	6" O.C.	6" O.C.
	1/4" POWERS WEDGE-BOLT	2"	2"	12" O.C.	12" O.C.	12" O.C.	12" O.C.	12" O.C.	12" O.C.	12" O.C.	10" O.C.	10" O.C.	9" O.C.
	5/16" TAPCON	2-1/4"	2-3/16"	12" O.C.	12" O.C.	12" O.C.	12" O.C.	12" O.C.	12" O.C.	12" O.C.	12" O.C.	12" O.C.	12" O.C.
	3/8-16 POWERS CALK-IN	1-1/4"	4"	12" O.C.	12" O.C.	12" O.C.	12" O.C.	12" O.C.	12" O.C.	12" O.C.	12" O.C.	12" O.C.	12" O.C.
	3/8" POWERS DROP-IN	1-9/16"	2-5/8"	12" O.C.	12" O.C.	12" O.C.	12" O.C.	12" O.C.	12" O.C.	12" O.C.	12" O.C.	12" O.C.	12" O.C.
	3/8" POWERS POWER BOLT	2-1/2"	4"	12" O.C.	12" O.C.	12" O.C.	12" O.C.	12" O.C.	12" O.C.	12" O.C.	12" O.C.	12" O.C.	12" O.C.
	3/8" POWERS POWER STUD	3"	4"	12" O.C.	12" O.C.	12" O.C.	12" O.C.	12" O.C.	12" O.C.	12" O.C.	12" O.C.	12" O.C.	12" O.C.
	3/8" POWERS WEDGE BOLT	2-1/2"	3"	12" O.C.	12" O.C.	12" O.C.	12" O.C.	12" O.C.	12" O.C.	12" O.C.	12" O.C.	12" O.C.	12" O.C.

HOLLOW BLOCK 1500 psi	1/4" ELCO PANELMATE MALE	1-1/4"	3"	12" O.C.	12" O.C.	10" O.C.	9" O.C.	8" O.C.	6" O.C.	6" O.C.	6" O.C.		
	1/4" ELCO PANELMATE FEMALE	1-1/4"	3"	12" O.C.	9" O.C.	8" O.C.	6" O.C.	6" O.C.					
	1/4" ELCO PANELMATE INSERT	1-1/4"	1-3/4"	12" O.C.	10" O.C.	9" O.C.	6" O.C.	6" O.C.	6" O.C.				
	1/4" ELCO PANELMATE INSERT	1-1/4"	3-1/2"	12" O.C.	12" O.C.	12" O.C.	12" O.C.	10" O.C.	10" O.C.	9" O.C.	8" O.C.	6" O.C.	
	1/4" TAPCON SG	1-1/4"	2-1/2"	12" O.C.	10" O.C.	9" O.C.	8" O.C.	6" O.C.	6" O.C.				
	1/4" TAPCON	1-1/4"	2-1/2"	12" O.C.	10" O.C.	6" O.C.	6" O.C.	6" O.C.					
	1/4-20 POWERS CALK-IN	1-1/4"	2-1/2"	12" O.C.	12" O.C.	10" O.C.	9" O.C.	8" O.C.	6" O.C.	6" O.C.			



JORGE A. POMERANTZ, P.E.  
 FLORIDA LICENSE# 55326  
 ING CONSULTANTS, INC.  
 428 NW 70th AVE #135  
 PLANTATION FL 33317  
 CERT. AUTH. #27242  
 T: 954.394.8521 F: 954.583.5197  
 ingconsultants@yahoo.com



StormWatch Inc. 254 Talleyrand Ave Jacksonville, FL 32202 Tel: 866.60.STORM info@stormwatchinfo.com	DRAWN BY: MICHAEL MURRAY
DRAWING NO: 1-31-001 NOT TO SCALE	6 of 9



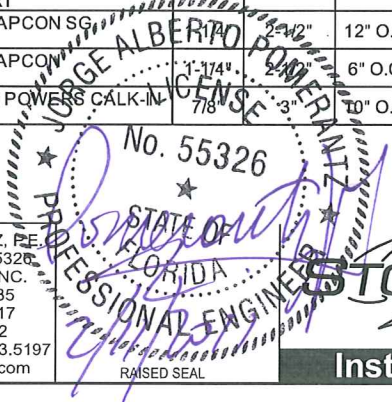
# ANCHOR SCHEDULE CONNECTION TYPE A

## STORMWATCH CLIP MAX SPAN 170" DESIGN PRESSURE +/- 76PSF INSIDE MOUNT

ANCHOR		MIN EMBED	MIN EDGE DIST	SPANS TO: 60"	SPANS TO: 72"	SPANS TO: 84"	SPANS TO: 96"	SPANS TO: 108"	SPANS TO: 120"	SPANS TO: 132"	SPANS TO: 144"	SPANS TO: 156"	SPANS TO: 170"
WOOD SG=0.55	1/4"ELCO PANELMATE MALE OR FEMALE	1-7/8"	3/4"	12" O.C.	12" O.C.	12" O.C.	12" O.C.	12" O.C.	10" O.C.	9" O.C.	9" O.C.	8" O.C.	6" O.C.
	1/4"ELCO PANELMATE MALE OR FEMALE	1-1/2"	2"	12" O.C.	12" O.C.	12" O.C.	12" O.C.	12" O.C.	12" O.C.	12" O.C.	12" O.C.	10" O.C.	10" O.C.
	1/4" SAMMY SUPER SCREW SSW	1-1/2"	2"	12" O.C.	12" O.C.	12" O.C.	12" O.C.	12" O.C.	12" O.C.	12" O.C.	12" O.C.	10" O.C.	10" O.C.
	1/4" LAG BOLT	3"	2"	12" O.C.	12" O.C.	12" O.C.	12" O.C.	12" O.C.	12" O.C.	12" O.C.	12" O.C.	10" O.C.	10" O.C.
	3/8" LAG BOLT	3"	3"	12" O.C.	12" O.C.	12" O.C.	12" O.C.	12" O.C.	12" O.C.	12" O.C.	12" O.C.	12" O.C.	12" O.C.
	3/8" HANGER BOLT	3"	3"	12" O.C.	12" O.C.	12" O.C.	12" O.C.	12" O.C.	12" O.C.	12" O.C.	12" O.C.	12" O.C.	12" O.C.
	3/8" LAG OR HANGER BOLT W/2"X3"X3/16"	3"	3"	24" O.C.	24" O.C.	24" O.C.	24" O.C.	24" O.C.	24" O.C.				

CONCRETE 3323psi	1/4"ELCO PANELMATE MALE	2"	2-1/2"	12" O.C.	12" O.C.	12" O.C.	12" O.C.	12" O.C.	12" O.C.	12" O.C.	10" O.C.	9" O.C.	9" O.C.
	1/4"ELCO PANELMATE FEMALE	1-3/4"	2-1/2"	12" O.C.	12" O.C.	12" O.C.	12" O.C.	12" O.C.	12" O.C.	12" O.C.	10" O.C.	9" O.C.	9" O.C.
	1/4" ELCO PANELMATE INSERT	1-5/8"	4"	12" O.C.	12" O.C.	12" O.C.	12" O.C.	12" O.C.	12" O.C.	12" O.C.	10" O.C.	10" O.C.	9" O.C.
	1/4" SAMMY SUPER SCREW SSC	2-1/4"	1-1/4"	12" O.C.	12" O.C.	12" O.C.	12" O.C.	12" O.C.	12" O.C.	10" O.C.	10" O.C.	9" O.C.	8" O.C.
	1/4" SAMMY SUPER SCREW SSC	2-1/4"	2-1/2"	12" O.C.	12" O.C.	12" O.C.	12" O.C.	12" O.C.	12" O.C.	12" O.C.	12" O.C.	12" O.C.	12" O.C.
	1/4" POWERS DROP-IN	1"	3"	12" O.C.	12" O.C.	12" O.C.	10" O.C.	9" O.C.	8" O.C.	6" O.C.	6" O.C.	6" O.C.	
	1/4-20 POWERS CALK-IN	7/8"	2"	12" O.C.	12" O.C.	12" O.C.	12" O.C.	10" O.C.	9" O.C.	8" O.C.	6" O.C.	6" O.C.	6" O.C.
	1/4-20 POWERS CALK-IN	7/8"	3"	12" O.C.	12" O.C.	12" O.C.	12" O.C.	12" O.C.	12" O.C.	10" O.C.	10" O.C.	9" O.C.	8" O.C.
	1/4" TAPCON SG	1-3/4"	2-1/2"	12" O.C.	12" O.C.	12" O.C.	12" O.C.	12" O.C.	12" O.C.	12" O.C.	12" O.C.	12" O.C.	10" O.C.
	1/4" TAPCON	1-3/4"	2-1/2"	12" O.C.	12" O.C.	12" O.C.	12" O.C.	12" O.C.	12" O.C.	12" O.C.	10" O.C.	10" O.C.	9" O.C.
	1/4" POWERS TAPPER	1-3/4"	3"	12" O.C.	12" O.C.	12" O.C.	12" O.C.	10" O.C.	9" O.C.	9" O.C.	8" O.C.	6" O.C.	6" O.C.
	1/4" POWERS POWER BOLT	2-1/2"	3"	12" O.C.	12" O.C.	12" O.C.	12" O.C.	12" O.C.	12" O.C.	10" O.C.	9" O.C.	8" O.C.	8" O.C.
	1/4" POWERS POWER STUD	1-1/2"	3"	12" O.C.	12" O.C.	12" O.C.	12" O.C.	12" O.C.	10" O.C.	10" O.C.	9" O.C.	8" O.C.	6" O.C.
	1/4" POWERS WEDGE-BOLT	2"	2"	12" O.C.	12" O.C.	12" O.C.	12" O.C.	12" O.C.	12" O.C.	12" O.C.	12" O.C.	12" O.C.	12" O.C.
	5/16" TAPCON	2-1/4"	2-3/16"	12" O.C.	12" O.C.	12" O.C.	12" O.C.	12" O.C.	12" O.C.	12" O.C.	12" O.C.	12" O.C.	12" O.C.
	3/8-16 POWERS CALK-IN	1-1/4"	4"	12" O.C.	12" O.C.	12" O.C.	12" O.C.	12" O.C.	12" O.C.	12" O.C.	12" O.C.	12" O.C.	12" O.C.
	3/8 POWERS DROP-IN	1-9/16"	2-5/8"	12" O.C.	12" O.C.	12" O.C.	12" O.C.	12" O.C.	12" O.C.	12" O.C.	12" O.C.	12" O.C.	12" O.C.
	3/8" POWERS POWER BOLT	2-1/2"	4"	12" O.C.	12" O.C.	12" O.C.	12" O.C.	12" O.C.	12" O.C.	12" O.C.	12" O.C.	12" O.C.	12" O.C.
	3/8" POWERS POWER STUD	3"	4"	12" O.C.	12" O.C.	12" O.C.	12" O.C.	12" O.C.	12" O.C.	12" O.C.	12" O.C.	12" O.C.	12" O.C.
	3/8" POWERS WEDGE BOLT	2-1/2"	3"	12" O.C.	12" O.C.	12" O.C.	12" O.C.	12" O.C.	12" O.C.	12" O.C.	12" O.C.	12" O.C.	12" O.C.

HOLLOW BLOCK 1500 psi	1/4"ELCO PANELMATE MALE	1-1/4"	3"	12" O.C.	10" O.C.	9" O.C.	6" O.C.	6" O.C.	6" O.C.				
	1/4"ELCO PANELMATE FEMALE	1-1/4"	3"	12" O.C.	10" O.C.	9" O.C.	6" O.C.	6" O.C.	6" O.C.				
	1/4" ELCO PANELMATE INSERT	1-1/4"	1-3/4"	12" O.C.	12" O.C.	12" O.C.	10" O.C.	9" O.C.	8" O.C.	6" O.C.	6" O.C.	6" O.C.	
	1/4" ELCO PANELMATE INSERT	1-1/4"	3-1/2"	12" O.C.	12" O.C.	12" O.C.	12" O.C.	10" O.C.	9" O.C.	8" O.C.	6" O.C.	6" O.C.	
	1/4" TAPCON SG			12" O.C.	12" O.C.	12" O.C.	12" O.C.	10" O.C.	10" O.C.	9" O.C.	8" O.C.	6" O.C.	
	1/4" TAPCON			6" O.C.	6" O.C.	6" O.C.							
	1/4-20 POWERS CALK-IN			10" O.C.	8" O.C.	6" O.C.	6" O.C.						



JORGE A. POMERANTZ, P.E.  
FLORIDA LICENSE# 55326  
ING CONSULTANTS, INC.  
428 NW 70th AVE #135  
PLANTATION FL 33317  
CERT. AUTH. #27242  
T: 954.394.8521 F: 954.583.5197  
ingconsultants@yahoo.com

**STORMWATCH**  
HURRICANE SCREENS  
**Installation Instructions**

StormWatch Inc.  
254 Talleyrand Ave  
Jacksonville, FL 32202  
Tel: 866.60.STORM  
info@stormwatchinfo.com

DRAWN BY: MICHAEL MURRAY  
DRAWING NO: 1-31-001  
NOT TO SCALE

## ANCHOR SCHEDULE CONNECTION TYPES A & B

**STORMWATCH CLIP OR C-TRACK  
MAX SPAN 102" DESIGN PRESSURE +/- 66.1PSF**

ANCHOR		MIN EMBED	MIN EDGE DIST	SPANS TO: 60"	SPANS TO: 72"	SPANS TO: 84"	SPANS TO: 96"	SPANS TO: 102"
WOOD SG=0.55	1/4"ELCO PANELMATE MALE OR FEMALE	1-7/8"	3/4"	12" O.C.	12" O.C.	12" O.C.	12" O.C.	12" O.C.
	1/4"ELCO PANELMATE MALE, FEMALE, OR INSERT	1-1/2"	2"	12" O.C.	12" O.C.	12" O.C.	12" O.C.	12" O.C.
	1/4" SAMMY SUPER SCREW SSW	1-1/2"	2"	12" O.C.	12" O.C.	12" O.C.	12" O.C.	12" O.C.
	1/4" LAG BOLT	3"	2"	12" O.C.	12" O.C.	12" O.C.	12" O.C.	12" O.C.
	3/8" LAG OR HANGER BOLT W/2"X3"X3/16" ALUM. ANGLE	3"	3"	24" O.C.	24" O.C.	24" O.C.	24" O.C.	24" O.C.

CONCRETE 3323psi	1/4"ELCO PANELMATE MALE	2"	2-1/2"	12" O.C.	12" O.C.	12" O.C.	12" O.C.	12" O.C.
	1/4"ELCO PANELMATE FEMALE	1-3/4"	2-1/2"	12" O.C.	12" O.C.	12" O.C.	12" O.C.	12" O.C.
	1/4" ELCO PANELMATE INSERT	1-5/8"	4"	12" O.C.	12" O.C.	12" O.C.	12" O.C.	12" O.C.
	1/4" SAMMY SUPER SCREW SSC	2-1/4"	1-1/4"	12" O.C.	12" O.C.	12" O.C.	12" O.C.	12" O.C.
	1/4" SAMMY SUPER SCREW SSC	2-1/4"	2-1/2"	12" O.C.	12" O.C.	12" O.C.	12" O.C.	12" O.C.
	1/4" POWERS DROP-IN	1"	3"	12" O.C.	12" O.C.	12" O.C.	12" O.C.	12" O.C.
	1/4-20 POWERS CALK-IN	7/8"	2"	12" O.C.	12" O.C.	12" O.C.	12" O.C.	12" O.C.
	1/4-20 POWERS CALK-IN	7/8"	3"	12" O.C.	12" O.C.	12" O.C.	12" O.C.	12" O.C.
	1/4" TAPCON SG	1-3/4"	2-1/2"	12" O.C.	12" O.C.	12" O.C.	12" O.C.	12" O.C.
	1/4" TAPCON	1-3/4"	2-1/2"	12" O.C.	12" O.C.	12" O.C.	12" O.C.	12" O.C.
	1/4" POWERS TAPPER	1-3/4"	3"	12" O.C.	12" O.C.	12" O.C.	12" O.C.	12" O.C.
	1/4" POWERS POWER BOLT	2-1/2"	3"	12" O.C.	12" O.C.	12" O.C.	12" O.C.	12" O.C.
	1/4" POWERS POWER STUD	1-1/2"	3"	12" O.C.	12" O.C.	12" O.C.	12" O.C.	12" O.C.
	1/4" POWERS WEDGE-BOLT	2"	2"	12" O.C.	12" O.C.	12" O.C.	12" O.C.	12" O.C.

HOLLOW BLOCK 1500 psi	1/4"ELCO PANELMATE MALE	1-1/4"	3"	12" O.C.	12" O.C.	12" O.C.	12" O.C.	12" O.C.
	1/4"ELCO PANELMATE FEMALE	1-1/4"	3"	12" O.C.	12" O.C.	12" O.C.	12" O.C.	10" O.C.
	1/4" ELCO PANELMATE INSERT	1-1/4"	1-3/4"	12" O.C.	12" O.C.	12" O.C.	12" O.C.	12" O.C.
	1/4" ELCO PANELMATE INSERT	1-1/4"	3-1/2"	12" O.C.	12" O.C.	12" O.C.	12" O.C.	12" O.C.
	1/4" TAPCON SG	1-1/4"	2-1/2"	12" O.C.	12" O.C.	12" O.C.	12" O.C.	12" O.C.
	1/4" TAPCON	1-1/4"	2-1/2"	12" O.C.	12" O.C.	9" O.C.	9" O.C.	8" O.C.
	1/4-20 POWERS CALK-IN	7/8"	3"	12" O.C.	12" O.C.	12" O.C.	9" O.C.	9" O.C.

JORGE A. POMERANTZ, P.E.  
FLORIDA LICENSE# 55326  
ING CONSULTANTS, INC.  
428 NW 70th AVE #135  
PLANTATION FL 33317  
CERT. AUTH. #27242  
T: 954.394.8521 F: 954.583.5197  
ingconsultants@yahoo.com



**STORMWATCH**  
HURRICANE SCREENS

### Installation Instructions

StormWatch Inc.  
254 Talleyrand Ave  
Jacksonville, FL 32202  
Tel: 866.60.STORM  
info@stormwatchinfo.com

DRAWN BY: MICHAEL MURRAY

DRAWING NO:  
1-31-001  
NOT TO SCALE

**8** of **9**

## ANCHOR SCHEDULE CONNECTION TYPES C

**DIRECT MOUNT GROMMET**  
**MAX SPAN 102" DESIGN PRESSURE +/- 66.1PSF**

ANCHOR		MIN EMBED	MIN EDGE DIST	SPANS TO: 60"	SPANS TO: 72"	SPANS TO: 84"	SPANS TO: 96"	SPANS TO: 102"
WOOD SG=0.55	1/4"ELCO PANELMATE MALE OR FEMALE	1-7/8"	3/4"	10" O.C.	10" O.C.	8" O.C.	8" O.C.	8" O.C.
	1/4"ELCO PANELMATE MALE, FEMALE, INSERT	1-1/2"	2"	12" O.C.	12" O.C.	12" O.C.	9" O.C.	8" O.C.
	1/4" SAMMY SUPER SCREW SSW	1-1/2"	2"	12" O.C.	12" O.C.	12" O.C.	9" O.C.	8" O.C.
	1/4" LAG BOLT	3"	2"	12" O.C.	12" O.C.	12" O.C.	9" O.C.	8" O.C.
	3/8" LAG OR HANGER BOLT W/2"X3"X3/16" ALUM. ANGLE	3"	3"	24" O.C.	24" O.C.	24" O.C.	24" O.C.	24" O.C.

CONCRETE 3323psi	1/4"ELCO PANELMATE MALE	2"	2-1/2"	12" O.C.	12" O.C.	12" O.C.	9" O.C.	8" O.C.
	1/4"ELCO PANELMATE FEMALE	1-3/4"	2-1/2"	12" O.C.	12" O.C.	12" O.C.	9" O.C.	8" O.C.
	1/4" ELCO PANELMATE INSERT	1-5/8"	4"	12" O.C.	12" O.C.	12" O.C.	9" O.C.	8" O.C.
	1/4" SAMMY SUPER SCREW SSC	2-1/4"	1-1/4"	12" O.C.	12" O.C.	10" O.C.	9" O.C.	8" O.C.
	1/4" SAMMY SUPER SCREW SSC	2-1/4"	2-1/2"	12" O.C.	12" O.C.	12" O.C.	9" O.C.	8" O.C.
	1/4" POWERS DROP-IN	1"	3"	12" O.C.	12" O.C.	12" O.C.	9" O.C.	8" O.C.
	1/4-20 POWERS CALK-IN	7/8"	2"	10" O.C.	10" O.C.	9" O.C.	8" O.C.	8" O.C.
	1/4-20 POWERS CALK-IN	7/8"	3"	12" O.C.	12" O.C.	10" O.C.	9" O.C.	8" O.C.
	1/4" TAPCON SG	1-3/4"	2-1/2"	12" O.C.	12" O.C.	12" O.C.	9" O.C.	8" O.C.
	1/4" TAPCON	1-3/4"	2-1/2"	12" O.C.	12" O.C.	12" O.C.	9" O.C.	8" O.C.
	1/4" POWERS TAPPER	1-3/4"	3"	12" O.C.	12" O.C.	12" O.C.	9" O.C.	8" O.C.
	1/4" POWERS POWER BOLT	2-1/2"	3"	12" O.C.	12" O.C.	12" O.C.	9" O.C.	8" O.C.
	1/4" POWERS POWER STUD	1-1/2"	3"	12" O.C.	12" O.C.	12" O.C.	9" O.C.	8" O.C.
	1/4" POWERS WEDGE-BOLT	2"	2"	12" O.C.	12" O.C.	12" O.C.	9" O.C.	8" O.C.

HOLLOW BLOCK 1500 psi	1/4"ELCO PANELMATE MALE	1-1/4"	3"	12" O.C.	12" O.C.	10" O.C.	8" O.C.	8" O.C.
	1/4"ELCO PANELMATE FEMALE	1-1/4"	3"	9" O.C.	9" O.C.	9" O.C.	8" O.C.	8" O.C.
	1/4" ELCO PANELMATE INSERT	1-1/4"	1-3/4"	10" O.C.	10" O.C.	9" O.C.	8" O.C.	8" O.C.
	1/4" ELCO PANELMATE INSERT	1-1/4"	3-1/2"	12" O.C.	12" O.C.	12" O.C.	9" O.C.	8" O.C.
	1/4" TAPCON SG	1-1/4"	2-1/2"	9" O.C.	9" O.C.	9" O.C.	8" O.C.	8" O.C.
	1/4" TAPCON	1-1/4"	2-1/2"	9" O.C.	9" O.C.	9" O.C.	8" O.C.	8" O.C.
	1/4-20 POWERS CALK-IN	7/8"	3"	12" O.C.	12" O.C.	10" O.C.	8" O.C.	8" O.C.



JORGE A. POMERANTZ, P.E.  
 FLORIDA LICENSE# 55326  
 ING CONSULTANTS, INC.  
 428 NW 70th AVE #135  
 PLANTATION FL 33317  
 CERT. AUTH. #27242  
 T: 954.394.8521 F: 954.583.5197  
 ingconsultants@yahoo.com



StormWatch Inc.  
 254 Talleyrand Ave  
 Jacksonville, FL 32202  
 Tel: 866.60.STORM  
 info@stormwatchinfo.com

DRAWN BY: MICHAEL MURRAY  
 DRAWING NO: 1-31-001  
 NOT TO SCALE